

# *Autopsy Table STV 10/850*

*with Integrated Down draft system - height adjustable*

The Autopsy table is mounted to a central support column and is made entirely from stainless steel (material no. 1.4301 – ANSI 304). Through a three-piece, removable, perforated rest area, all unsanitary odors are safely vacuumed away. The work surface is equipped with a high surrounding border, and features a negative inclination to the waste sieve (detachable). A seamlessly welded basin with a surrounding profile border is affixed to the end of the table. A tub with drainage channel is located under the perforated work surface. An integrated sprinkler system guarantees that the table is continuously sanitized. All power connections, including the air duct, are built into the base. The table is to be connected to the side-mounted ventilation system, which has a minimum capacity of 1000 m<sup>3</sup>/h. The Autopsy table STV 10/850 model includes the following features:

- Central support column with 2 access doors
- Basin W/D/H 400 x 500 x 200 mm
- Knee-operated mixing tap for cold and warm water
- 3 m shower hose with hand sprinkler
- 2 splash proof electrical outlets
- 2 buttons for height adjustment
- Regulator valve for integrated sprinkler system
- 3-piece work top with large waste basin/sieve insert
- Circumferential perforation for safe removal of all odors
- Height adjustable from 750 to 1000 mm

*Technical data and dimensions, see back page*



*Autopsy table height adjustable*



*Autopsy table STV 10/850*



*Waste sieve*

# Autopsy Table STV 10/850

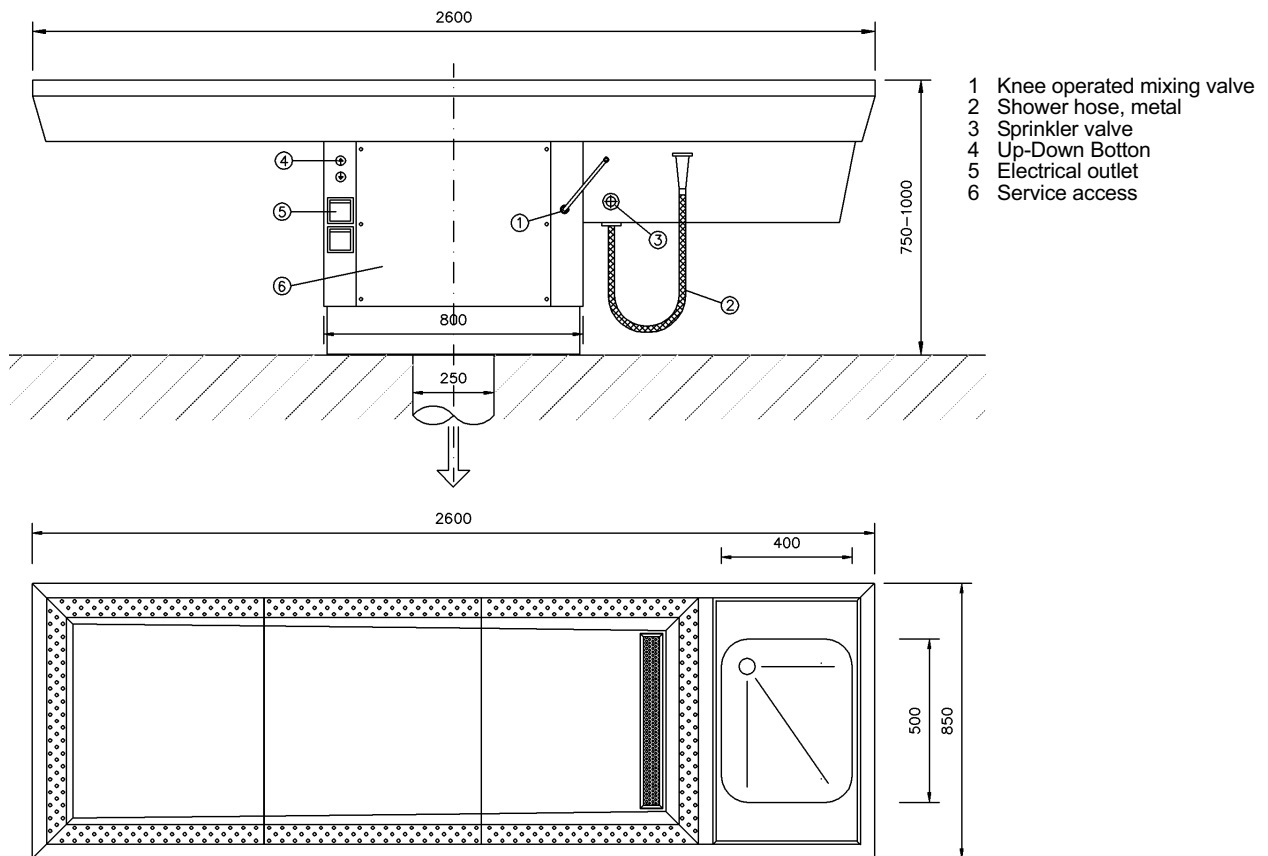
with Integrated Down draft system - height adjustable

Dimensions: W/D/H 2600 x 850 x 750/1000 mm  
 Height adjustable: 750 to 1000 mm  
 Carrying capacity: max. 200 kg  
 Deadweight: approx. 250 kg  
 Material: Stainless steel, Material 1.4301 - ANSI 304  
 Type: STV 10/850  
 Article no.: 010.010.850

# Autopsy Table STV 10/800

with Integrated Down draft system - fixed mounted

Dimensions: W/D/H 2600 x 850 x 850 mm  
 Carrying capacity: max. 200 kg  
 Deadweight: approx. 250 kg  
 Material: Stainless steel, Material 1.4301 - ANSI 304  
 Type: STV 10/800  
 Article no.: 010.010.800



Subject to technical modifications as required by product improvements.